

UTC BCP68 NPN EPITAXIAL SILICON TRANSISTOR

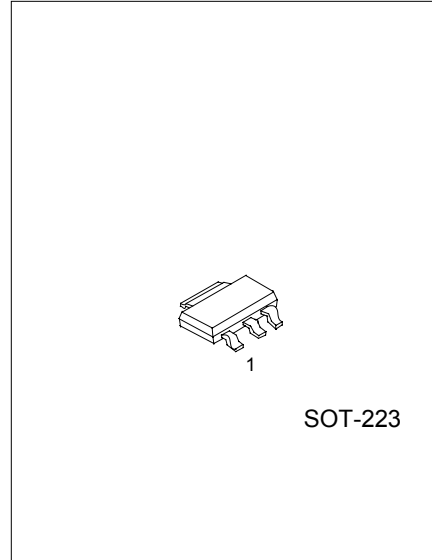
NPN MEDIUM POWER TRANSISTOR

FEATURES

- * High current (max. 1 A)
- * Low voltage (max. 20 V)
- * Complementary to UTC BCP69

APPLICATIONS

- * General purpose switching and amplification under high current conditions.



1: BASE 2: COLLECTOR 3: EMITTER

ABSOLUTE MAXIMUM RATINGS (Ta = 25°C)

PARAMETER	SYMBOL	RATINGS	UNIT
Collector-Base Voltage (Open Emitter)	V_{CBO}	32	V
Collector-Emitter Voltage (Open Base)	V_{CEO}	20	V
Emitter-Base Voltage (Open Collector)	V_{EBO}	5	V
Collector Current (DC)	I_C	1	A
Peak Collector Current	I_{CM}	2	A
Peak Base Current	I_{BM}	200	mA
Total Power Dissipation, Ta ≤ 25°C	P_{tot}	1.37	W
Operating Ambient Temperature	Ta	-65 ~ +150	°C
Junction Temperature	Tj	150	°C
Storage Temperature	Tstg	-65 ~ +150	°C

THERMAL CHARACTERISTICS

PARAMETER	SYMBOL	TEST CONDITIONS	RATINGS	UNIT
Thermal Resistance From Junction To Ambient	$R_{th(j-a)}$	Note 1	91	K/W
Thermal Resistance From Junction To Soldering Point	$R_{th(j-s)}$		10	K/W

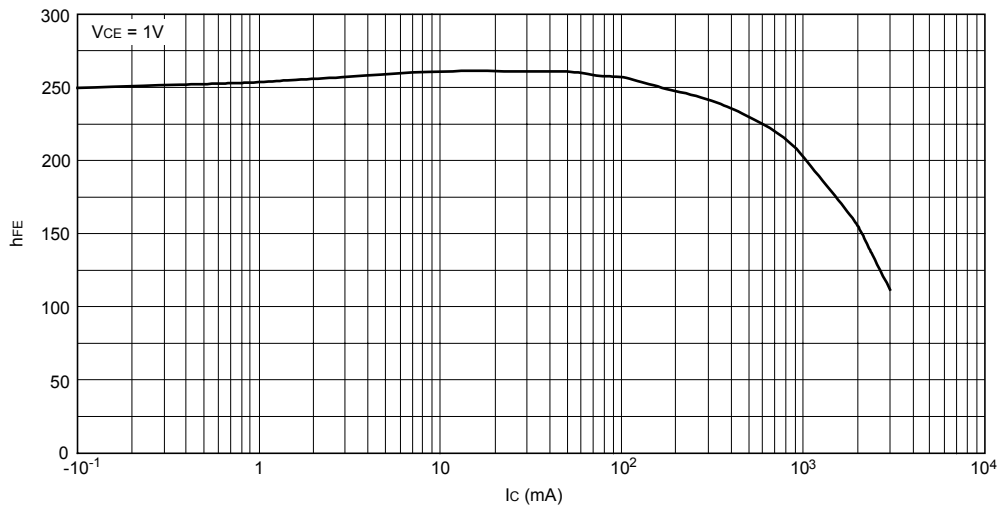
Note 1: Device mounted on a printed-circuit board, single-sided copper, tinplated, mounting pad for collector 1 cm².
For other mounting conditions, see "Thermal considerations for SOT223 in the General Part of associated Handbook".

UTC BCP68 NPN EPITAXIAL SILICON TRANSISTOR

ELECTRICAL CHARACTERISTICS ($T_j = 25^\circ\text{C}$, unless otherwise specified.)

PARAMETER	SYMBOL	TEST CONDITIONS	MIN	TYP	MAX	UNIT
Collector Cut-off Current	I_{CBO}	$I_E = 0, V_{CB} = 25\text{V}$			100	nA
		$I_E = 0, V_{CB} = 25\text{V}, T_j = 150^\circ\text{C}$			10	μA
Emitter Cut-off Current	I_{EBO}	$I_C = 0, V_{EB} = 5\text{V}$			100	nA
DC Current Gain	h_{FE}	$I_C = 5\text{mA}, V_{CE} = 10\text{V}$	50			
		$I_C = 500\text{mA}, V_{CE} = 1\text{V}$	85		375	
		$I_C = 1\text{A}, V_{CE} = 1\text{V}$	60			
DC Current Gain (BCP68-25)		$I_C = 500\text{mA}, V_{CE} = 1\text{V}$	160		375	
Collector-Emitter Saturation Voltage	V_{CEsat}	$I_C = 1\text{A}, I_B = 100\text{mA}$			500	mV
Base-Emitter Voltage	V_{BE}	$I_C = 5\text{mA}, V_{CE} = 10\text{V}$		620		mV
		$I_C = 1\text{A}, V_{CE} = 1\text{V}$			1	V
Collector Capacitance	C_C	$I_E = I_C = 0, V_{CB} = 5\text{V}, f = 1\text{MHz}$		38		pF
Transition Frequency	f_T	$I_C = 10\text{mA}, V_{CE} = 5\text{V}, f = 100\text{MHz}$	40			MHz
DC current gain ratio of the complementary pairs	$\frac{h_{FE1}}{h_{FE2}}$	$ I_C = 0.5\text{A}, V_{CE} = 1\text{V}$			1.6	

DC current gain (typical values)



UTC assumes no responsibility for equipment failures that result from using products at values that exceed, even momentarily, rated values (such as maximum ratings, operating condition ranges, or other parameters) listed in products specifications of any and all UTC products described or contained herein. UTC products are not designed for use in life support appliances, devices or systems where malfunction of these products can be reasonably expected to result in personal injury. Reproduction in whole or in part is prohibited without the prior written consent of the copyright owner. The information presented in this document does not form part of any quotation or contract, is believed to be accurate and reliable and may be changed without notice.